

Horizontal Wind Turbine Catalogue

Model: GH-30KW Horizontal axis wind turbine | ON-GRID system |

Overview

GREEF GH-30KW wind generator is the conversion of wind energy into mechanical energy first and electric energy afterwards. This equipment can fully make use of wind power to recharge a battery, and also can saved energy into ac source alternating current. Without the necessity of fuel, the GH-30KW wind generator is pollution free and far away from noise. The GH-30KW wind generator is generally applicable to the area which has good condition but is far away from the power grid, or the power grid is not normal. The GH-30KW generator can supply lighting, the television set, the searchlight, the communication equipment, the power tool and other household appliances.

GreeF
Power Your House With Green Energy
www.greefenergy.com

GH-30KW HAWT

<40db. Low noise
3Ways. Protection of strong wind
25 years lifetime. SKF bearing+
Stainless bolts+galvanized coat
3years.longer granvantee time.

CE

Recommended for:

- Household,Garden,farm,Urban ,Rooftop
- Telecom sites.
- Rural electrification programs. Island , sentry, island, sight lighting

Technical specification

Model	GH-30KW
--------------	----------------

Performance

Rated Power	30000W
Max Power	35000W
Start Wind Speed	3m/s(6.72mph)
Rated Wind Speed	12m/s(26.88mph)
Working Wind Speed	4-25m/s (8.96-56 mph)
Safety Wind Speed	50m/s(112mph)

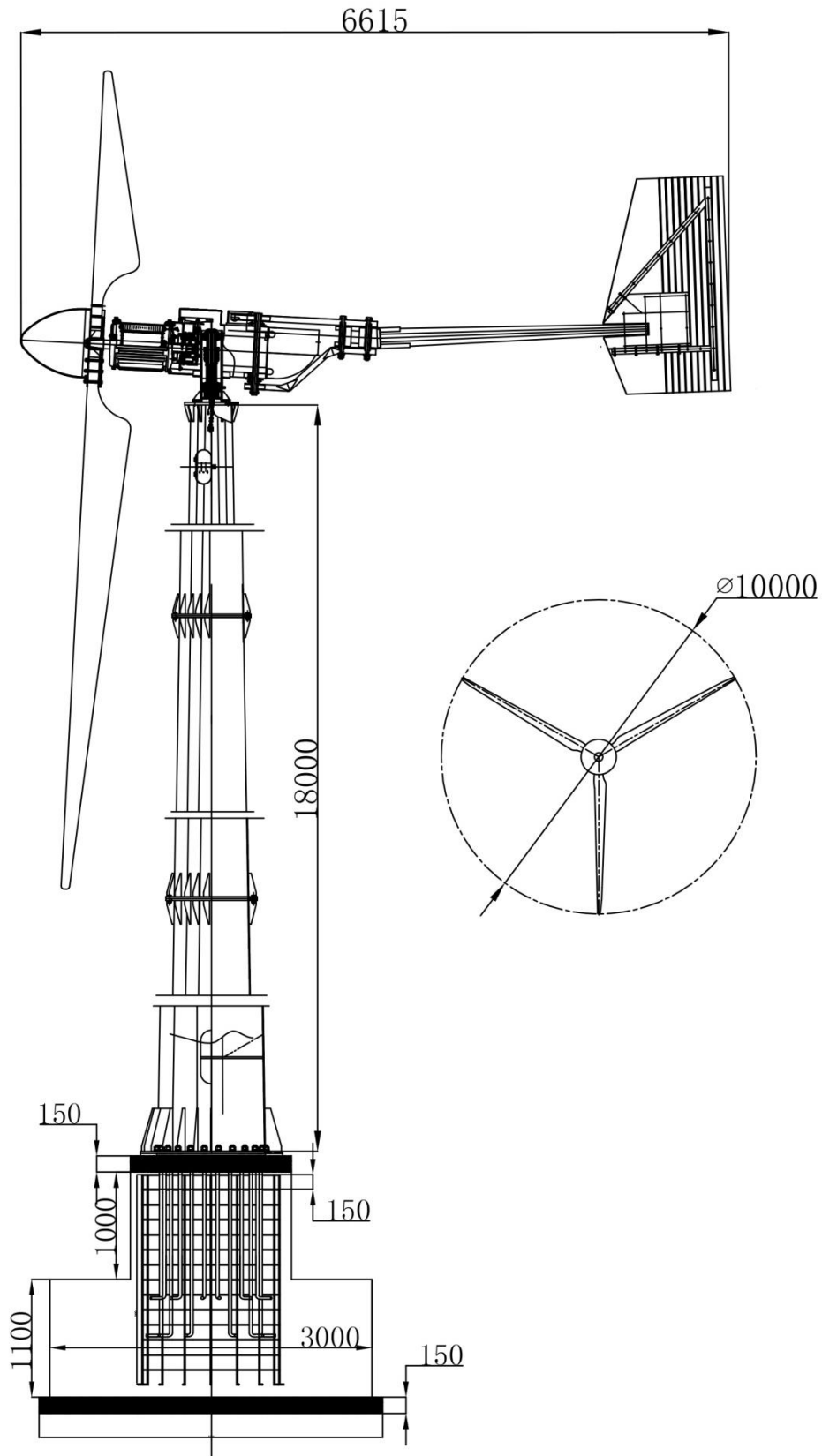
Physical Parameters

Blades Length	5.885M(19.3ft)
Blades Rotor Diameter	12M(39.36ft)
Blades Material &Quantity	FRP /3PCS
Top Weight	1500kg
Swept Area	113.04 m²
Tower Height	18m(59.04ft.) Free stand tower

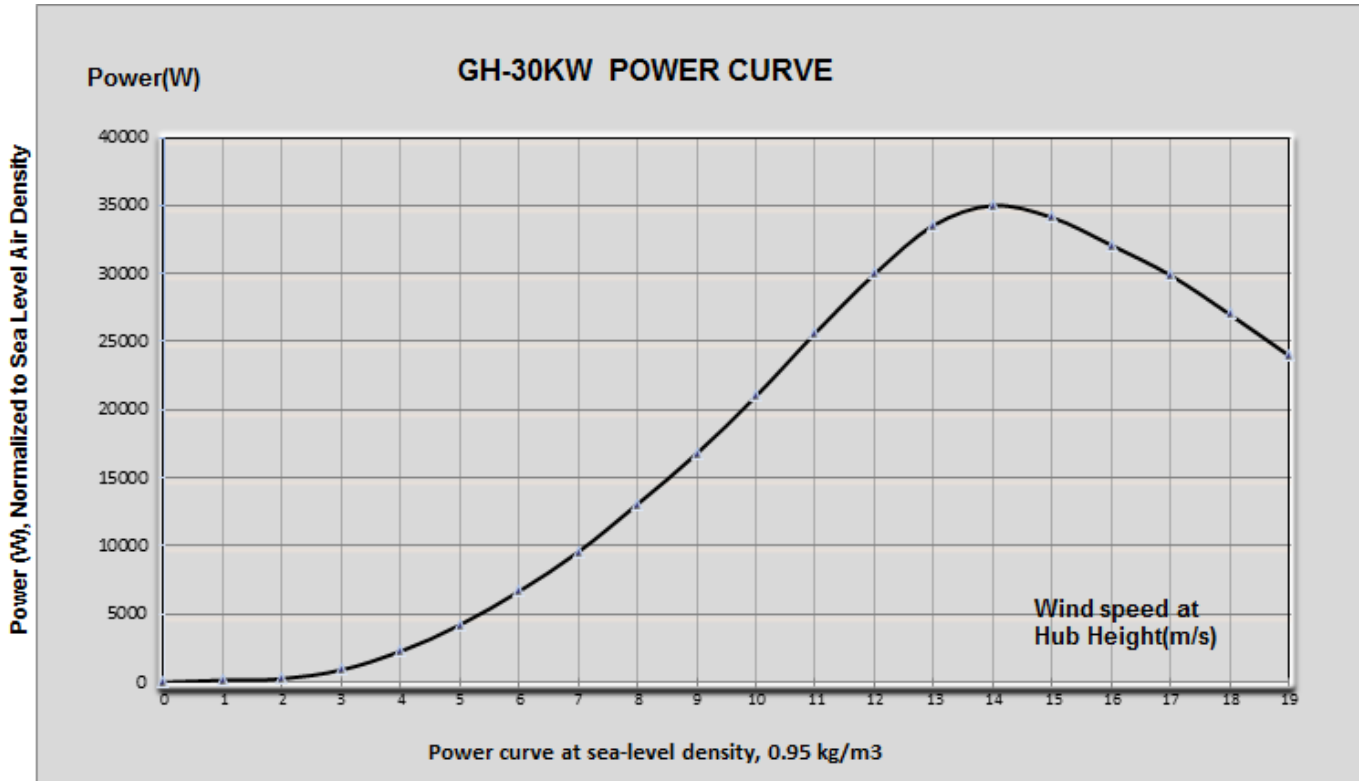
Generator Parameters

Generator Type	Permanent Magnet Generator
Rated Speed	150RPM
Start Torque	11.5N.M
Option Voltage	240-500V
Protection Method	Electromagnetic Brake +PWM
Protection Grade	IP54
Working Temperature	-40-50°C
Life time	25 Years

Dimension



Power Curve



Annual Energy Production

Annual Wind Speed(m/s)	3	4	5	6	7	8	9
Production(kWH)	7954	19885	36915	58499	83816	114563	147072
Annual Wind Speed(m/s)	10	11	12	13	14	15	16
Production(kWH)	183960	224457	262485	293863	306600	298935	281100

This data will have $\pm 10\%$ difference according to real condition.

Sound Data

Test position: At 15m away from generator (average value of 3 point-rears, left, right.)

Wind Speed (m/s)	3	4	5	6	7	8	9	10	11
Sound(dB)	24.6	27.5	33.5	35.8	38.6	41.5	45.7	47.8	52.3
Wind Speed (m/s)	12	13	14	15	16	17	18	19	20
Sound(dB)	54.8	56.9	59.8	61.3	64.3	69.2	70.8	71.9	73.9

Note: The sound value includes wind noise.

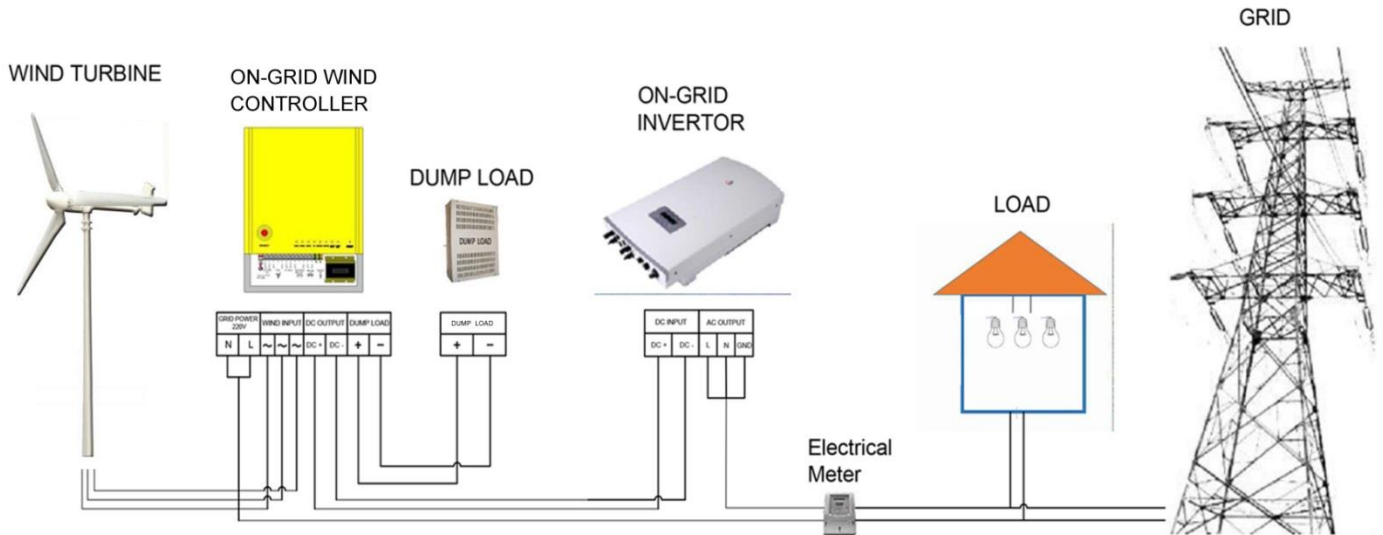
Pictures



Accesses Details Pictures



GreenF ON-GRID WIND POWER GENERATOR SYSTEM



Grid-Tie Controller



- ◆ PWM & three-phase protection system
- ◆ Strong wind protection
- ◆ Grid-connected Invertor disconnected protection
- ◆ Lightening protection device.
- ◆ LED status indication:
- ◆ Voltmeter indication:
- ◆ Emergency stop switch;
- ◆ Manual three-phase load discharging switch;

Grid-Tie Invertor



- ◆ MPPT (Maximum Power Point Tracking) technology.
- ◆ Power curve can be setting
- ◆ Input voltage range wide. 30V-600V
- ◆ RS232/485 WIFI communication.
- ◆ Pure sine wave output, Auto grid tracking synchronized
- ◆ Anti-island protection ,non-polluting power grid, no impact
- ◆ Certified to UL 1741,AS4777, G83/1,CE,TUV